

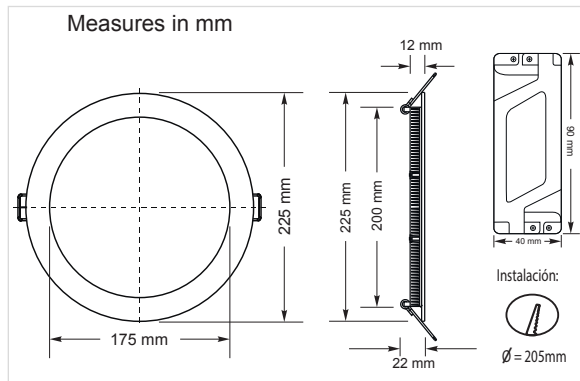
## DG20R

Ultraslim recessed LED Downlight

### Product



### Measures

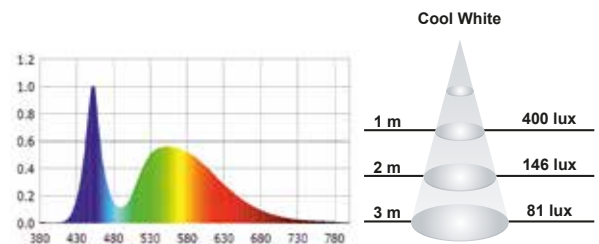


### Technical Data

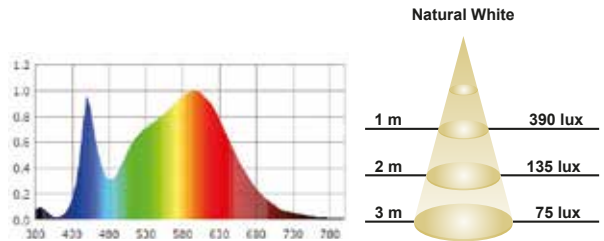
Input range:	175~240Vac 50-60Hz
Power:	18W
Nº of LEDs:	90 chips SMD 2835
Power factor:	>0.50
Luminous efficiency:	72 lm/w
LED power:	0.20W
Luminous flux:	1300 lm (BF) 1270 lm (BN)
Luminous intensity:	514cd
IP code:	IP20
Operating temperature:	-10°C +40°C
Nº of switching:	10.000
Certifications:	CE, RoHS
Energy Efficiency:	A+
Lifespan:	10.000h (L70:B10)
Weight:	405 grammes

### Photometric data

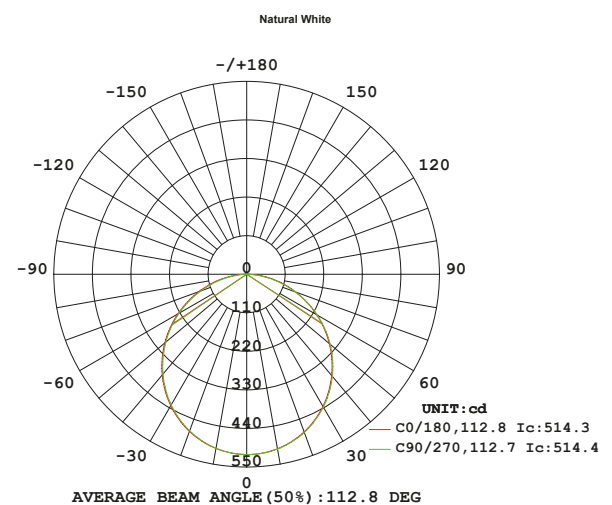
Beam Angle =120°  
Luminous Flux =1300 lm  
Colour Temperature CCT=6000K (BF)  
CRI =>80



Beam Angle =120°  
Luminous Flux =1270 lm  
Colour Temperature CCT=4000K (BN)  
CRI =>80



Luminous Intensity Distribution Curve



Chip used

EPISTAR



ThreeLine®  
TECHNOLOGY