

48 PT / PT DIN - CONNECTION AND JUNCTION BOXES ALSO FOR DOMOTICS - IP40

TECHNICAL CHARACTERISTICS

Standard: IEC EN 60670-1 (CEI 23-48); IEC EN 60670-22 (CEI 23-94); IEC EN 60670-24 (CEI 23-49) (*)
 Degree of protection: IP40
 Installation temperature: max +60°C; min. -15°C
 Material: GW PLAST technopolymer, halogen-free in accordance with EN 60754-2 (CEI EN 50267-2-2)

Impact resistance: IK 07 (standard and deep covers)
 IK 10 (impact resistant cover)
 Heat resistance: thermo-pressure with ball 70°C
 Resistance to abnormal heat and fire: Glow wire test 650°C
 Applications: for brickwork walls

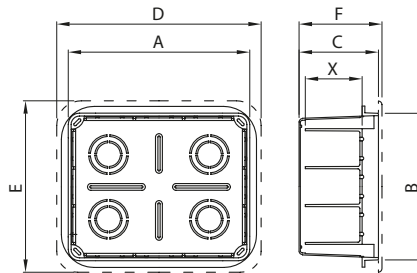
(*) Enclosure type: GP (CEI 23-51) and PD

BEHAVIOUR WITH CHEMICAL AND ATMOSPHERIC AGENTS

| Agent | Saline solution | Acids | | Bases | | Solvents | | | | Mineral oil | UV rays |
|-------------------------------------|-----------------|---------------|--------------------|--------------------|--------------------|---------------|---------------|---------------|--------------------|--------------------|--------------------|
| | | Concentrated | Diluted | Concentrated | Diluted | Hexane | Benzol | Acetone | Ethyl alcohol | | |
| 48 PT / PT DIN standard cover | Resistant | Not resistant | Not resistant | Limited resistance | Limited resistance | Not resistant | Not resistant | Not resistant | Limited resistance | Limited resistance | Limited resistance |
| Shockproof cover for 48 PT / PT DIN | Resistant | Not resistant | Limited resistance | Not resistant | Limited resistance | Resistant | Not resistant | Not resistant | Limited resistance | Limited resistance | Limited resistance |

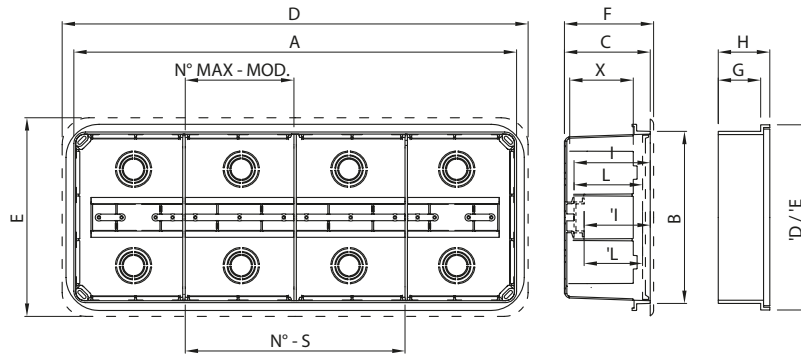
Dimension tables

JUNCTION BOXES (GW48001-GW48005)



| Code | Modular boxes | | | | | | | | | | Cover | | | Deep lid | | | | max Ø of conduit per sector | max Ø of conduit in the back-mounting plate | Maximum dispersible power |
|-----------|---------------|-----|----|----|--------|--------------------|---|---|----|----|-------|-----|------|----------|-----|----|----|-----------------------------|---|---------------------------|
| | A | B | C | X | N° - S | No. modules N° - M | I | L | 'I | 'L | D | E | F | 'D | 'E | G | H | | | |
| GW 48 001 | 92 | 92 | 45 | 30 | - | - | - | - | - | - | 112 | 112 | 48.5 | - | - | - | - | Ø32 | Ø25 | - |
| GW 48 002 | 118 | 96 | 50 | 36 | - | - | - | - | - | - | 138 | 116 | 53.5 | - | - | - | - | Ø32 | Ø25 | - |
| GW 48 003 | 118 | 96 | 70 | 50 | - | - | - | - | - | - | 138 | 116 | 73.5 | - | - | - | - | Ø32 | Ø25 | - |
| GW 48 004 | 152 | 98 | 70 | 50 | - | - | - | - | - | - | 172 | 118 | 73.5 | 170 | 116 | 49 | 56 | Ø40 | Ø32 | - |
| GW 48 005 | 160 | 130 | 70 | 50 | - | - | - | - | - | - | 186 | 156 | 74 | 178 | 148 | 49 | 56 | Ø40 | Ø32 | - |
| GW 48 085 | | | | | | | | | | | | | | | | | | | | |

FLUSH MOUNTING ENCLOSURES WITH INTEGRATED DIN RAIL



| Code | Modular boxes | | | | | | | | | | Cover | | | Deep lid | | | | max Ø of conduit per sector | max Ø of conduit in the back-mounting plate | Maximum dispersible power |
|--------------------------------------|---------------|-----|----|----|-------|--------------------|------|----|----|------|-------|-----|------|----------|-----|----|----|-----------------------------|---|---------------------------|
| | A | B | C | X | N° -S | No. modules N° - M | I | L | 'I | 'L | D | E | F | 'D | 'E | G | H | | | |
| GW 48 006 GW 48 086 | 196 | 152 | 75 | 57 | 2 | 4.5 | 69 | 61 | 62 | 53.5 | 222 | 178 | 79 | 214 | 170 | 49 | 56 | Ø50 | Ø32 | 11W |
| GW 48 007 GW 48 087 | 294 | 152 | 75 | 57 | 3 | 5 | 69 | 61 | 62 | 53.5 | 320 | 178 | 79 | 312 | 170 | 66 | 73 | Ø50 | Ø32 | 13W |
| GW 48 008 GW 48 088 | 392 | 152 | 75 | 57 | 4 | 5 | 70 | 63 | 63 | 55.5 | 418 | 178 | 80 | 410 | 170 | 66 | 73 | Ø50 | Ø32 | 17W |
| GW 48 009 | 480 | 160 | 75 | 57 | 3 | 8 | 70 | 61 | 63 | 53.5 | 506 | 186 | 80.5 | - | - | - | - | Ø50 | Ø50 | 25W |
| GW 48 010 | 516 | 202 | 90 | 69 | 3 | 9 | 85.5 | 78 | 78 | 70.5 | 543 | 229 | 96 | - | - | - | - | Ø63 | Ø50 | 29W |
| GW 48 011 | 516 | 294 | 90 | 69 | 6 | 4 | 85.5 | 77 | 78 | 70 | 543 | 320 | 96 | - | - | - | - | Ø63 | Ø50 | 30W |

48 CM - HIGH CAPACITY CONNECTION AND JUNCTION BOXES - IP40

TECHNICAL CHARACTERISTICS

Standard: IEC EN 60670-1 (CEI 23-48); IEC EN 60670-22 (CEI 23-94);
IEC EN 60670-24 (CEI 23-49) (*)

Degree of protection: IP40; (IP44 spare covers)

Installation temperature: max. +60°C; min. -15°C

Material: GW PLAST technopolymer, halogen-free in accordance with
EN 60754-2 (CEI EN 50267-2-2)

Impact resistance: IK 07 (IP40 box)

IK 10 (IP44 cover)

Heat resistance: thermo-pressure with ball 70°C

Resistance to abnormal heat and fire: Glow wire test 650°C

Applications: for brickwork walls

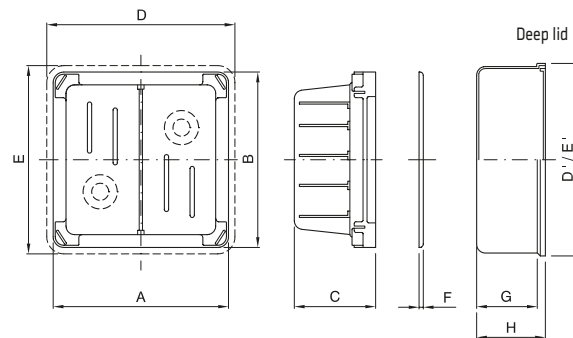
(*) Enclosure type: GP (CEI 23-51) and PD

BEHAVIOUR WITH CHEMICAL AND ATMOSPHERIC AGENTS

| Saline solution | Acids | | Bases | | Solvents | | | | Mineral oil | UV rays |
|-----------------|---------------|---------------|--------------------|--------------------|---------------|---------------|---------------|--------------------|--------------------|--------------------|
| | Concentrated | Diluted | Concentrated | Diluted | Hexane | Benzol | Acetone | Ethyl alcohol | | |
| Resistant | Not resistant | Not resistant | Limited resistance | Limited resistance | Not resistant | Not resistant | Not resistant | Limited resistance | Limited resistance | Limited resistance |

Dimension tables

CASSETTE DI DERIVAZIONE ALTA CAPIENZA



| | Box | | | Plain lid | | | Deep lid | | | |
|--------------------------------------|-----|-----|-------|-----------|-----|---|----------|-----|----|----|
| | A | B | C | D | E | F | D' | E' | G | H |
| GW 48 207 (2 compartments) | 260 | 260 | 121.5 | 280 | 280 | 7 | 286 | 286 | 67 | 74 |
| GW 48 211 (5 compartments) | 520 | 260 | 121.5 | 540 | 280 | 7 | 547 | 286 | 67 | 74 |

48 PTC - MODULAR JUNCTION, COMMAND AND DISTRIBUTION BOXES - IP40/IP55

TECHNICAL CHARACTERISTICS

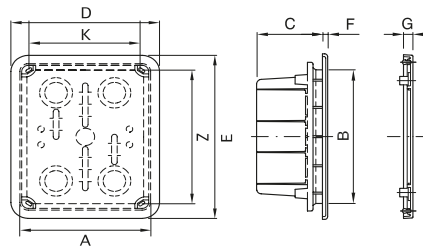
| | |
|--|---|
| Standard: IEC 60670-1; IEC 60670-22; 23-48; EN 60670-1; EN 60670-22; EN 60670-1; EN 60670-22 | Impact resistance: IK 07 (box) IK 08 (watertight control unit and modular board) |
| Degree of protection: IP40; IP55 | Heat resistance: thermo-pressure with ball 70°C |
| Installation temperature: max. +60°C; min. -15°C | Resistance to abnormal heat and fire: Glow wire test 650°C |
| Material: GW PLAST technopolymer, halogen-free in accordance with EN 60754-2 (CEI EN 50267-2-2) | |

BEHAVIOUR WITH CHEMICAL AND ATMOSPHERIC AGENTS

| Saline solution | Acids | | Bases | | Solvents | | | | Mineral oil | UV rays |
|-----------------|---------------|--------------------|---------------|--------------------|-----------|---------------|---------------|--------------------|--------------------|--------------------|
| | Concentrated | Diluted | Concentrated | Diluted | Hexane | Benzol | Acetone | Ethyl alcohol | | |
| Resistant | Not resistant | Limited resistance | Not resistant | Limited resistance | Resistant | Not resistant | Not resistant | Limited resistance | Limited resistance | Limited resistance |

Dimension tables

FLUSH-MOUNTING MODULAR SYSTEM



| Code | Box | | | Covers | | | | | |
|--|-----|-----|----|--------|-----|-----|---|-----|-----|
| | A | B | C | D | E | F | G | Z | K |
| CW 48 661 CW 48 671 CW 48 681 CW 48 691 | 138 | 169 | 70 | | | | | 154 | 120 |
| CW 48 662 CW 48 672 CW 48 682 CW 48 686 | 308 | 169 | 70 | | | | | 154 | 145 |
| CW 48 663 CW 48 673 | 398 | 169 | 70 | | | | | 154 | 125 |
| CW 48 611 | | | | 175 | 210 | 5.5 | | 154 | 120 |
| CW 48 612 | | | | 345 | 210 | 5.5 | | 154 | 145 |
| CW 48 613 | | | | 435 | 210 | 5.5 | | 154 | 125 |
| CW 48 621 | | | | 175 | 210 | - | 9 | 154 | 120 |
| CW 48 622 | | | | 345 | 210 | - | 9 | 154 | 145 |
| CW 48 623 | | | | 435 | 210 | - | 9 | 154 | 125 |
| CW 48 651 | | | | 175 | 210 | - | 9 | 154 | 120 |